

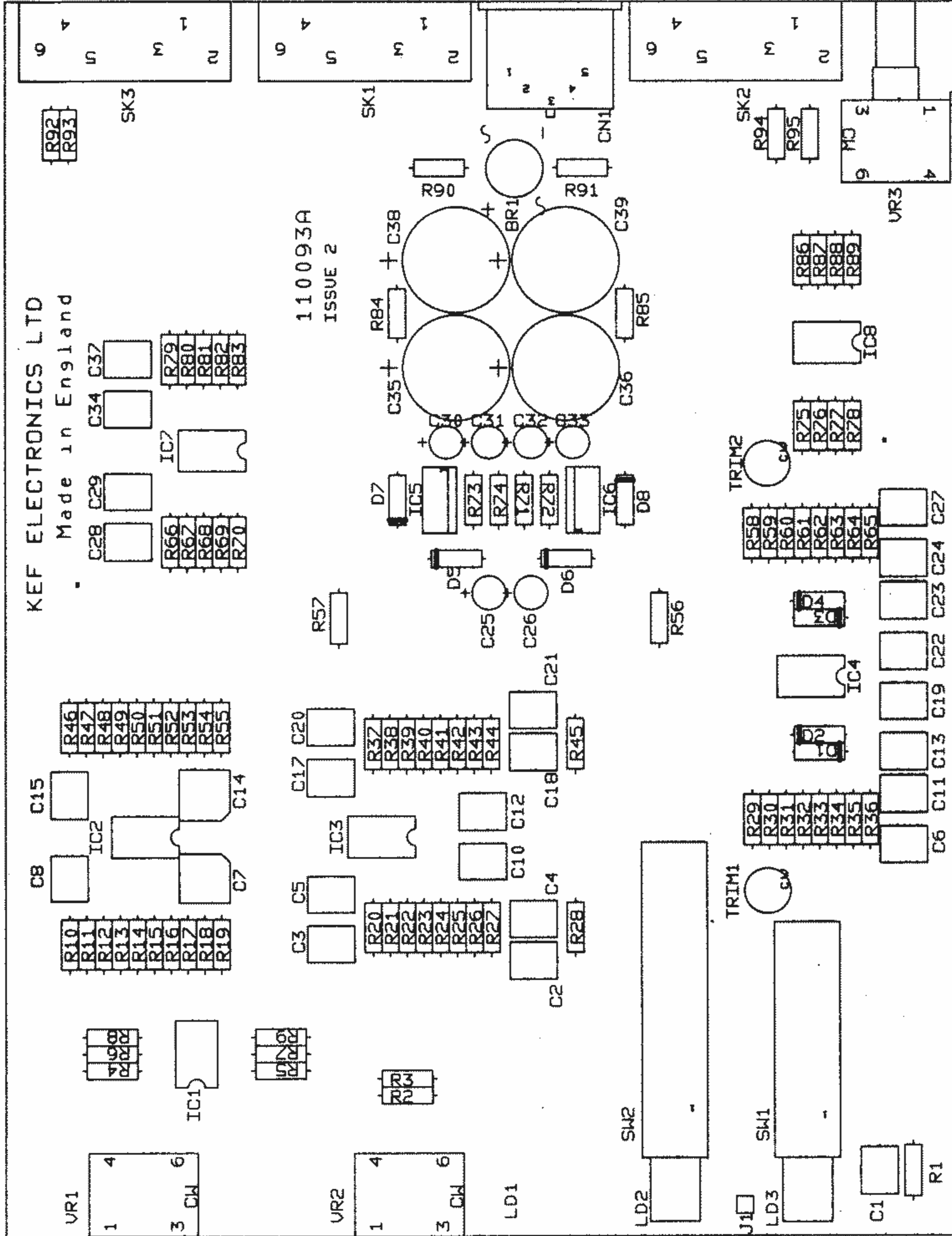
HiFi ENGINE[®]

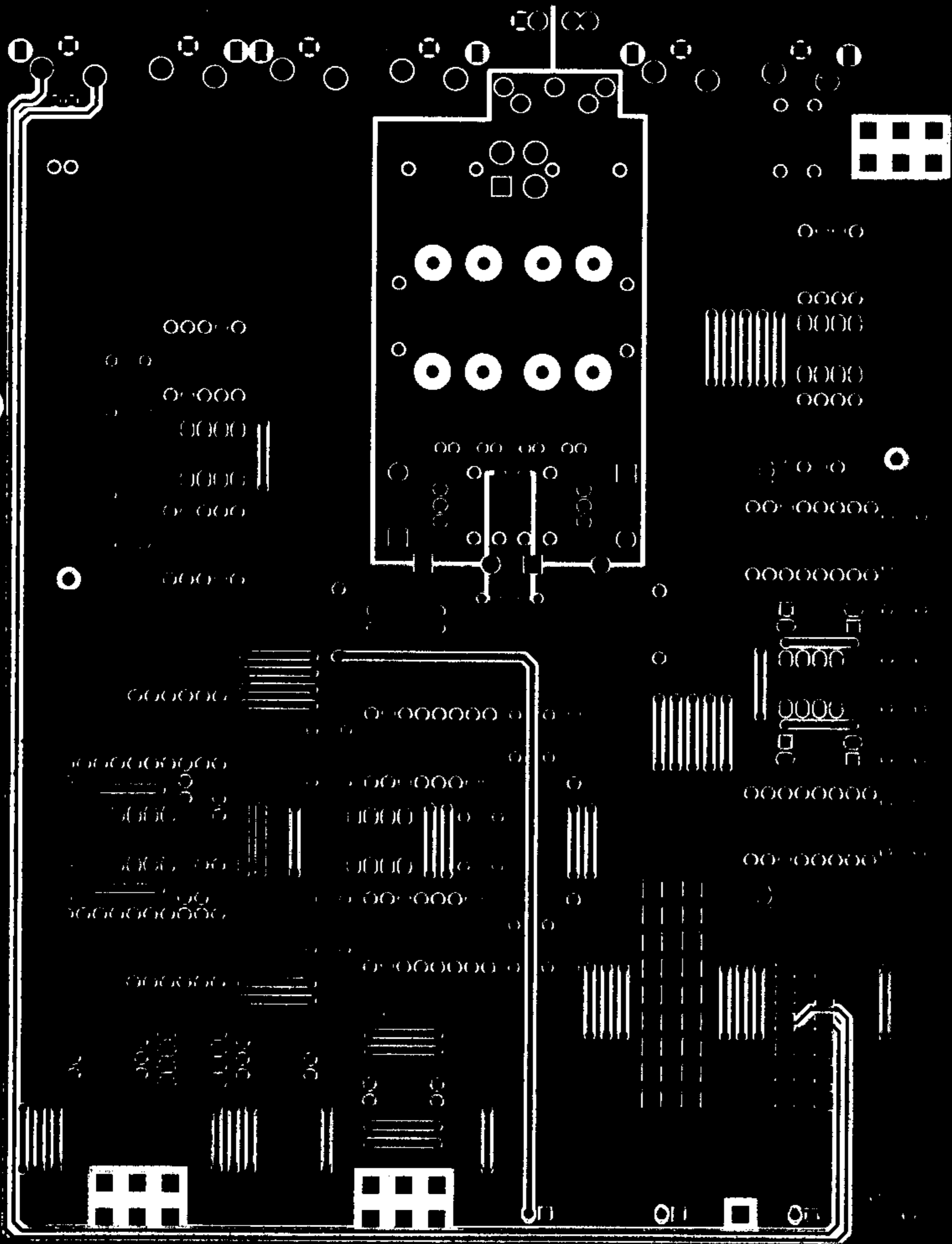
For more Hi-Fi manuals and set-up information
please visit www.hifiengine.com

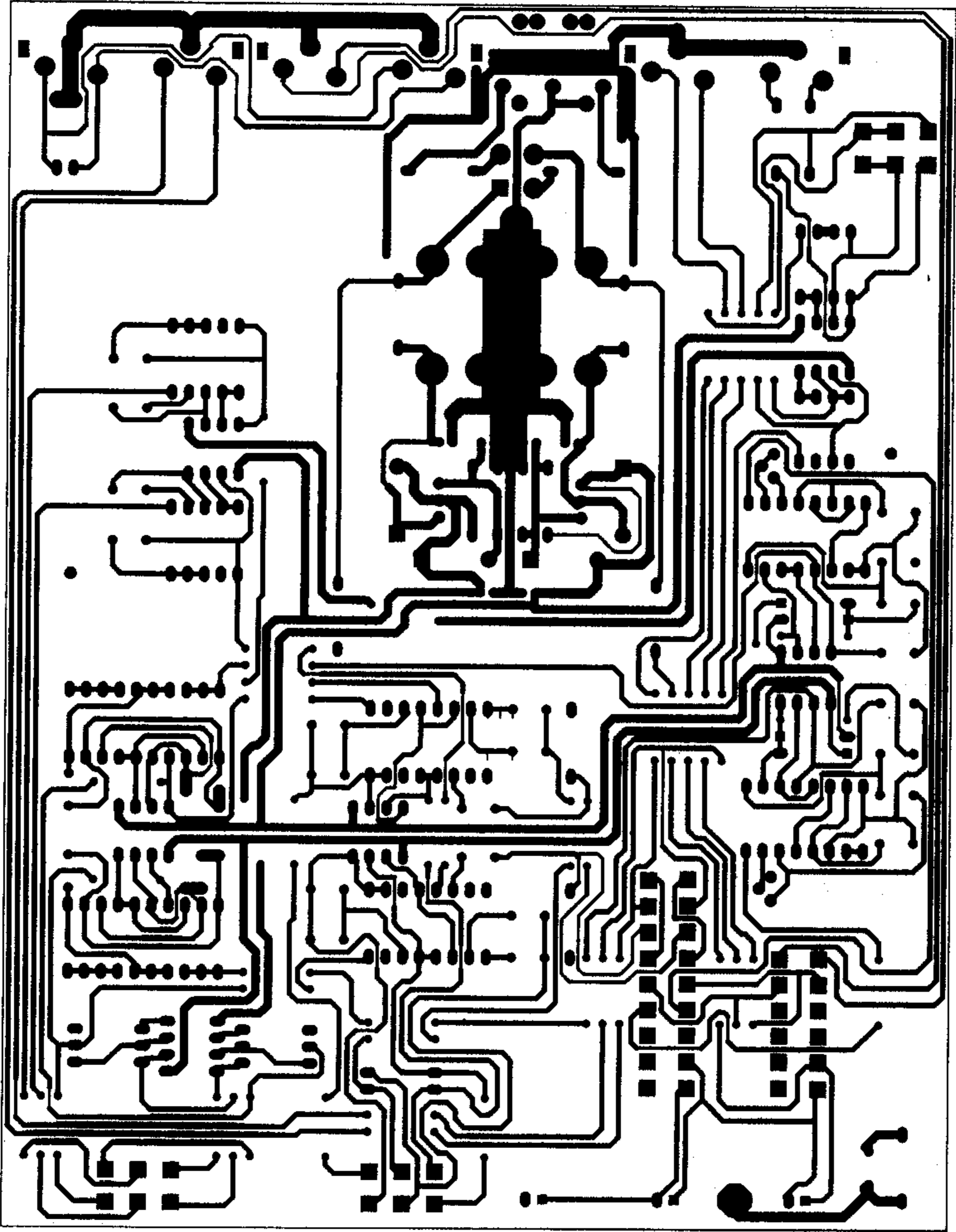
KEF ELECTRONICS LTD
Made in England

110093A
ISSUE 2

110093A ISSUE 2
26-03-90 EC







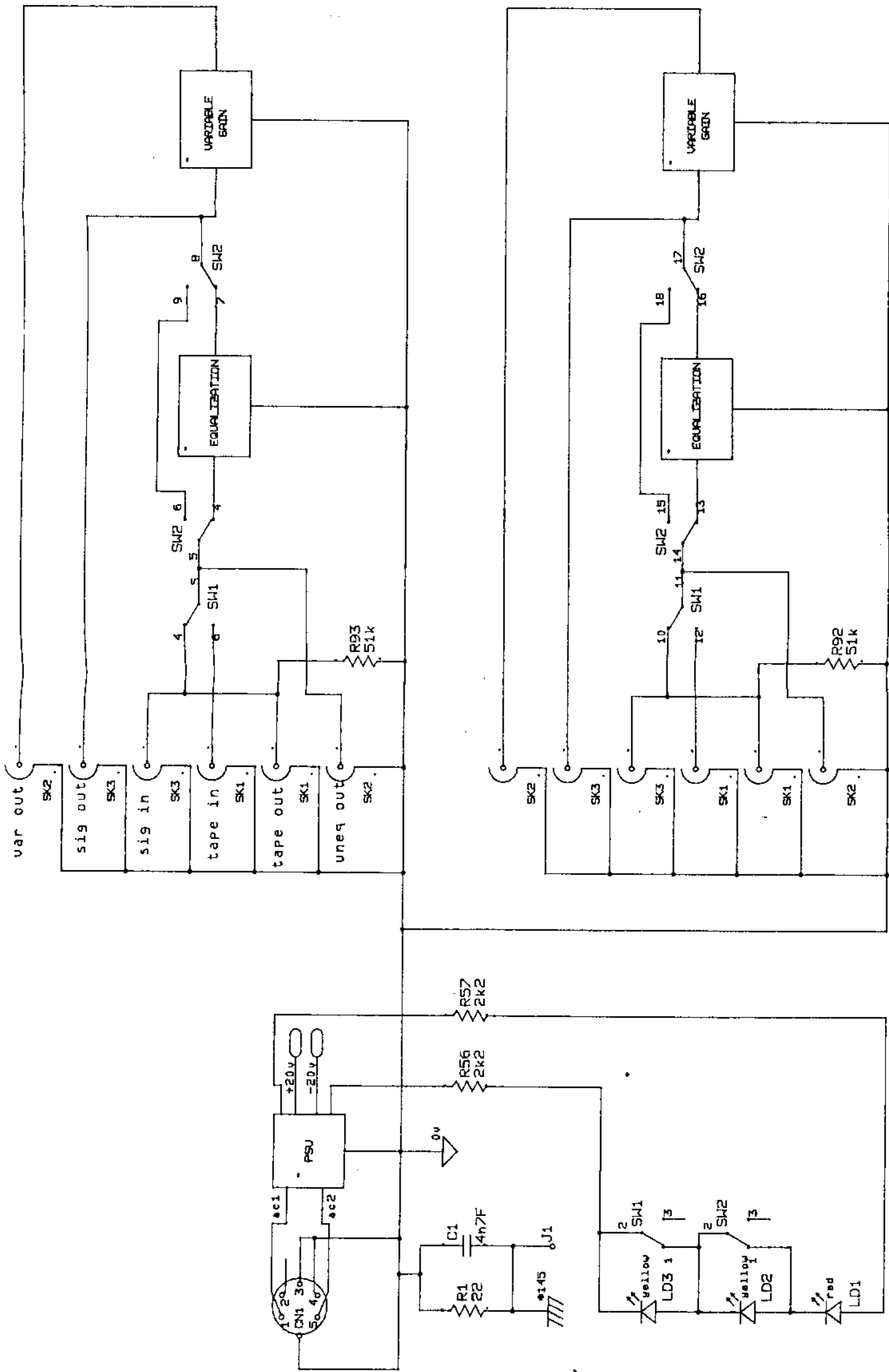
110093A ISSUE 2

26-03-90 EC

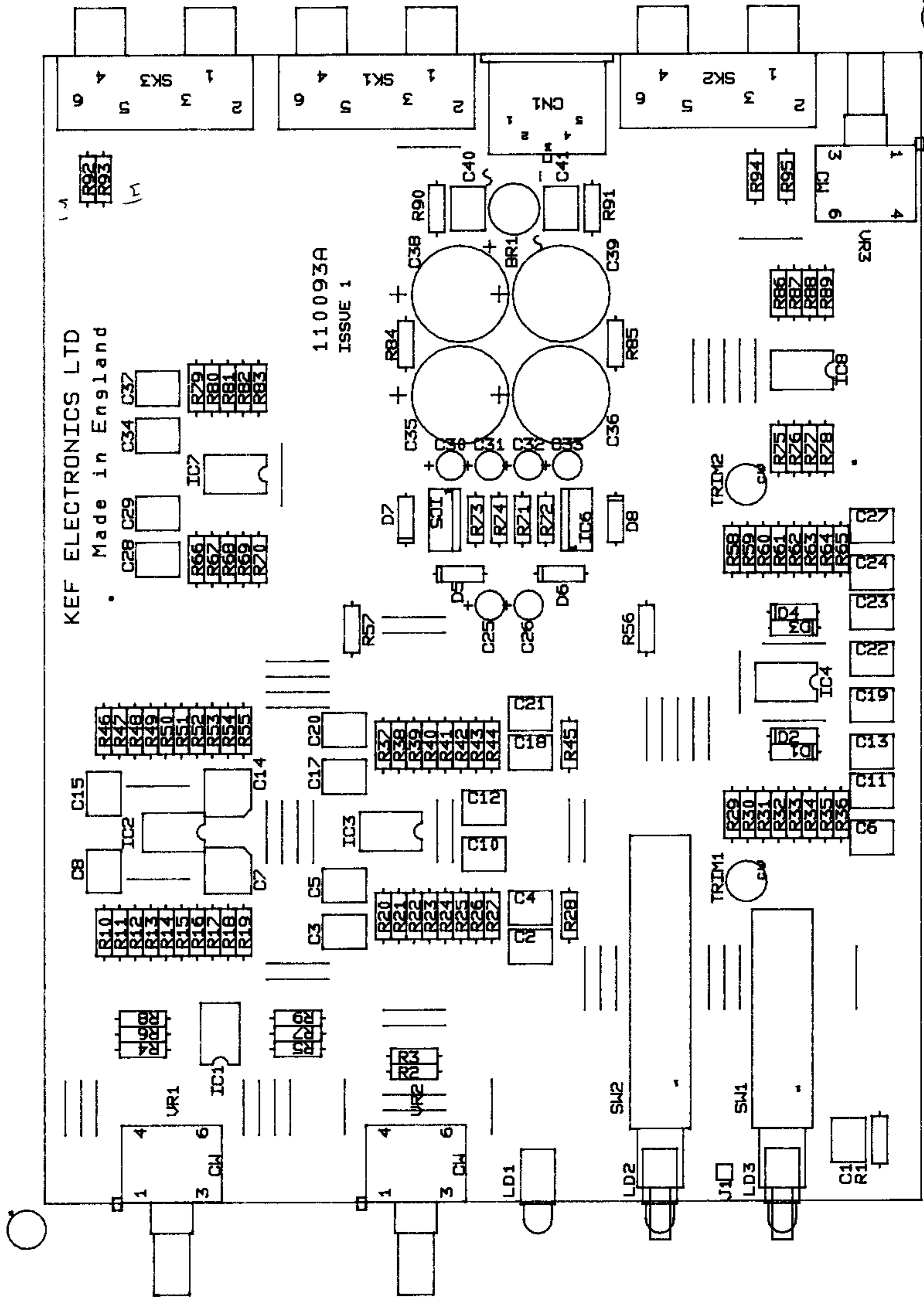
TRACK LAYER

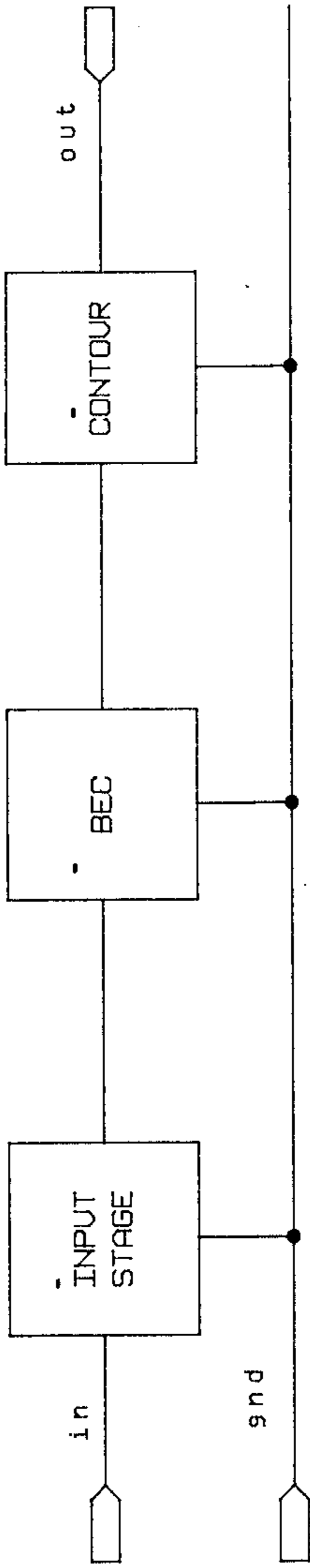
VIEWED FROM COMPONENT SIDE



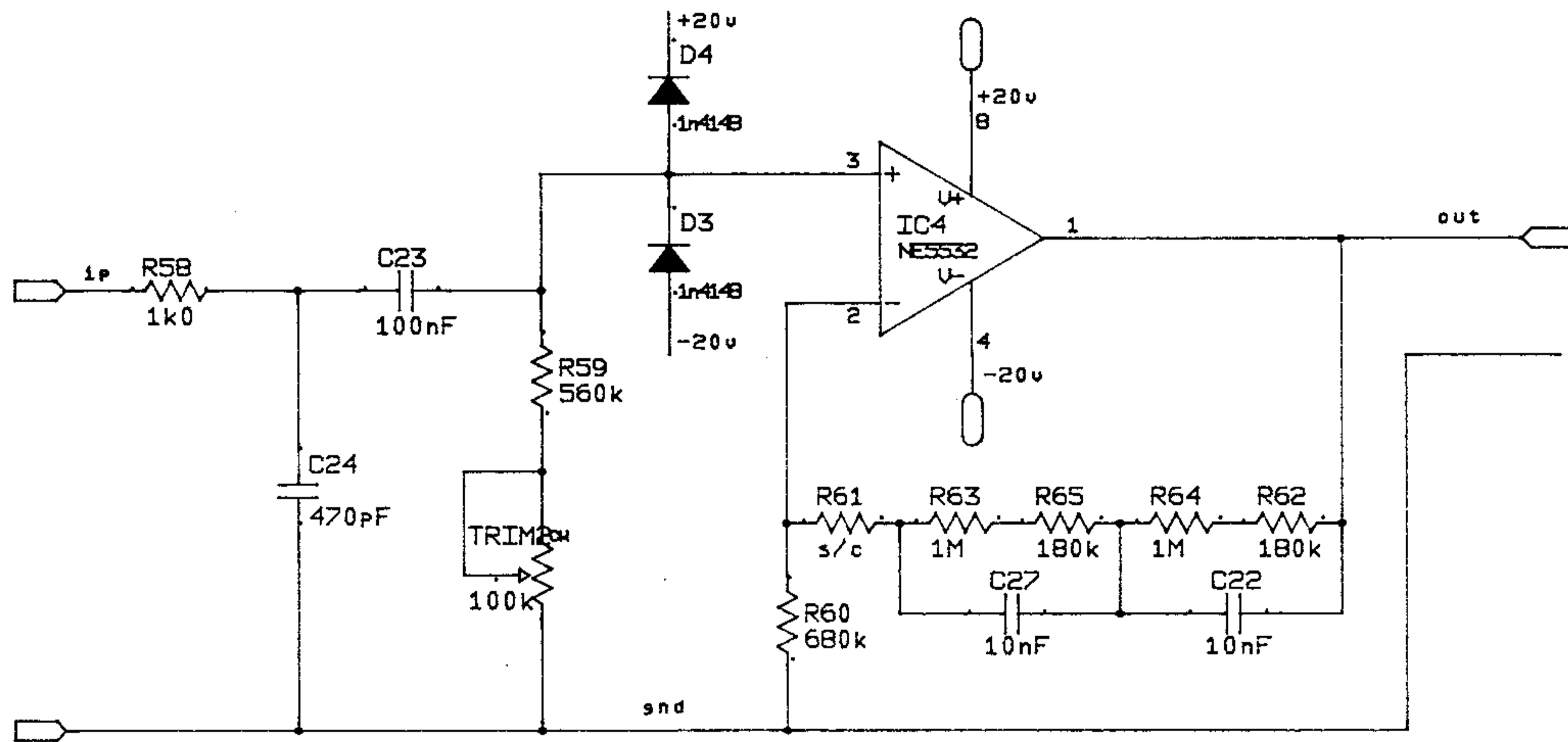


KUBE 200 SP2147
26-03-90 EC

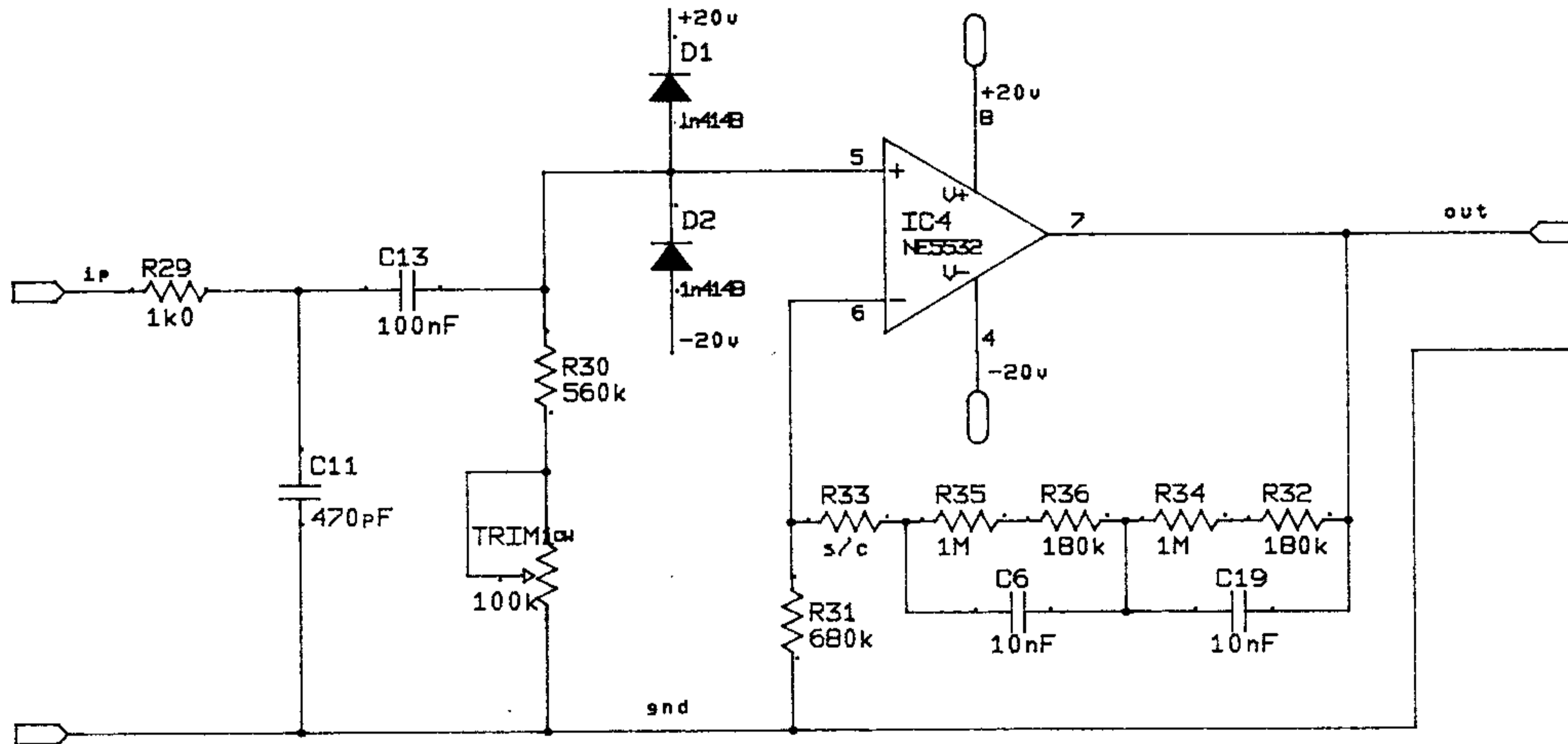




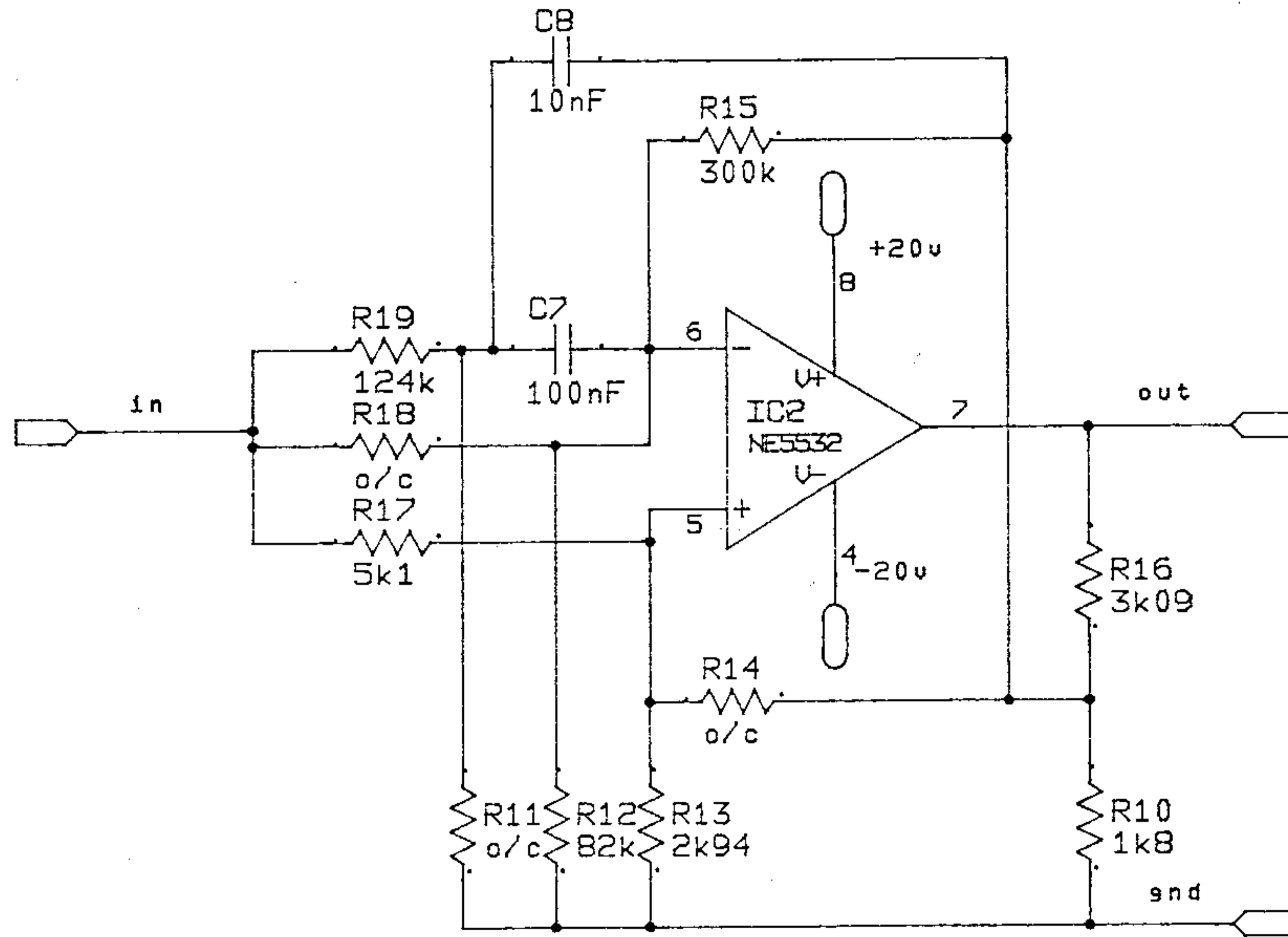
EQUALIZATION
3-1-90
EC



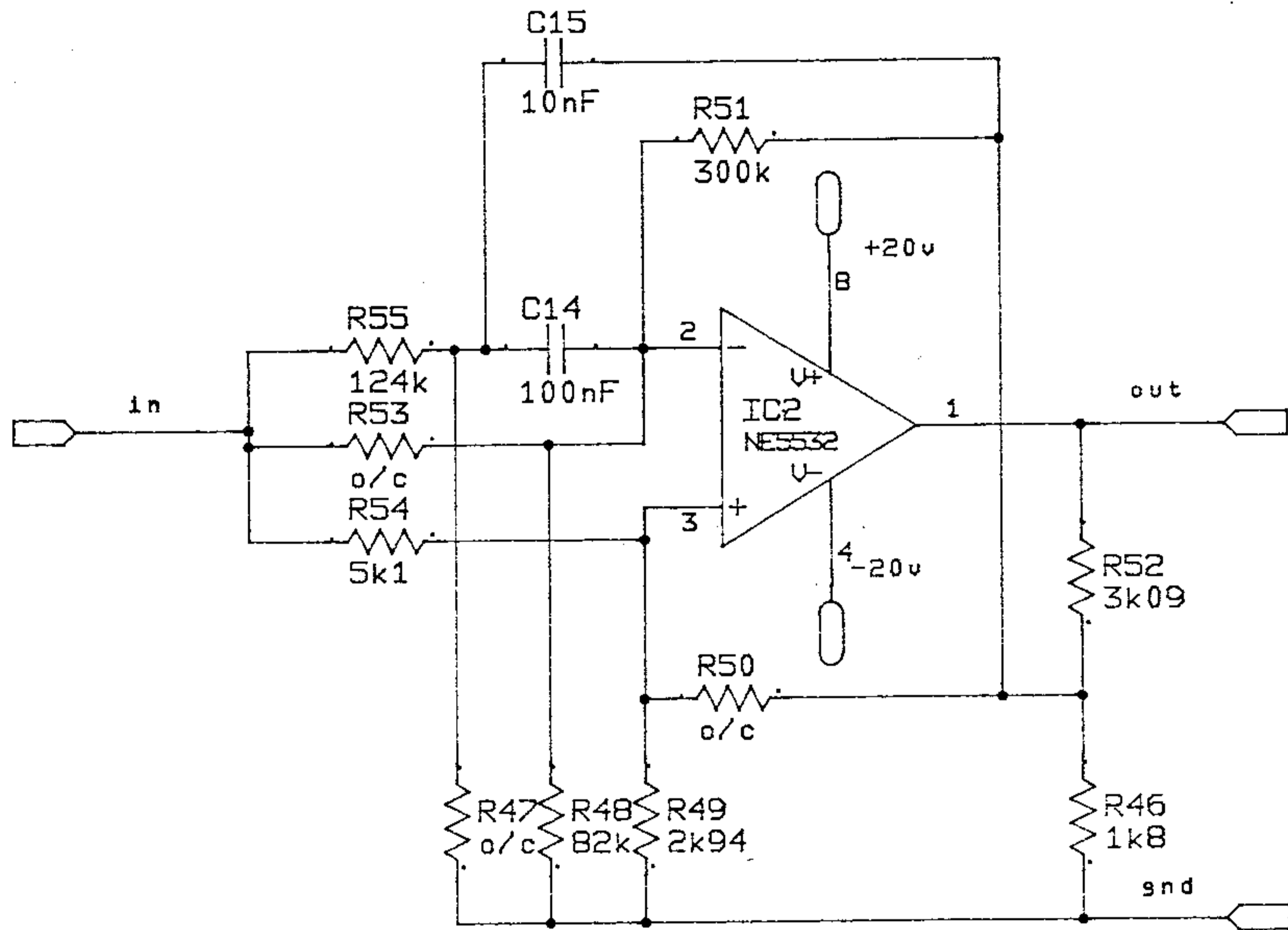
INPUT STAGE
 5-2-90
 EC



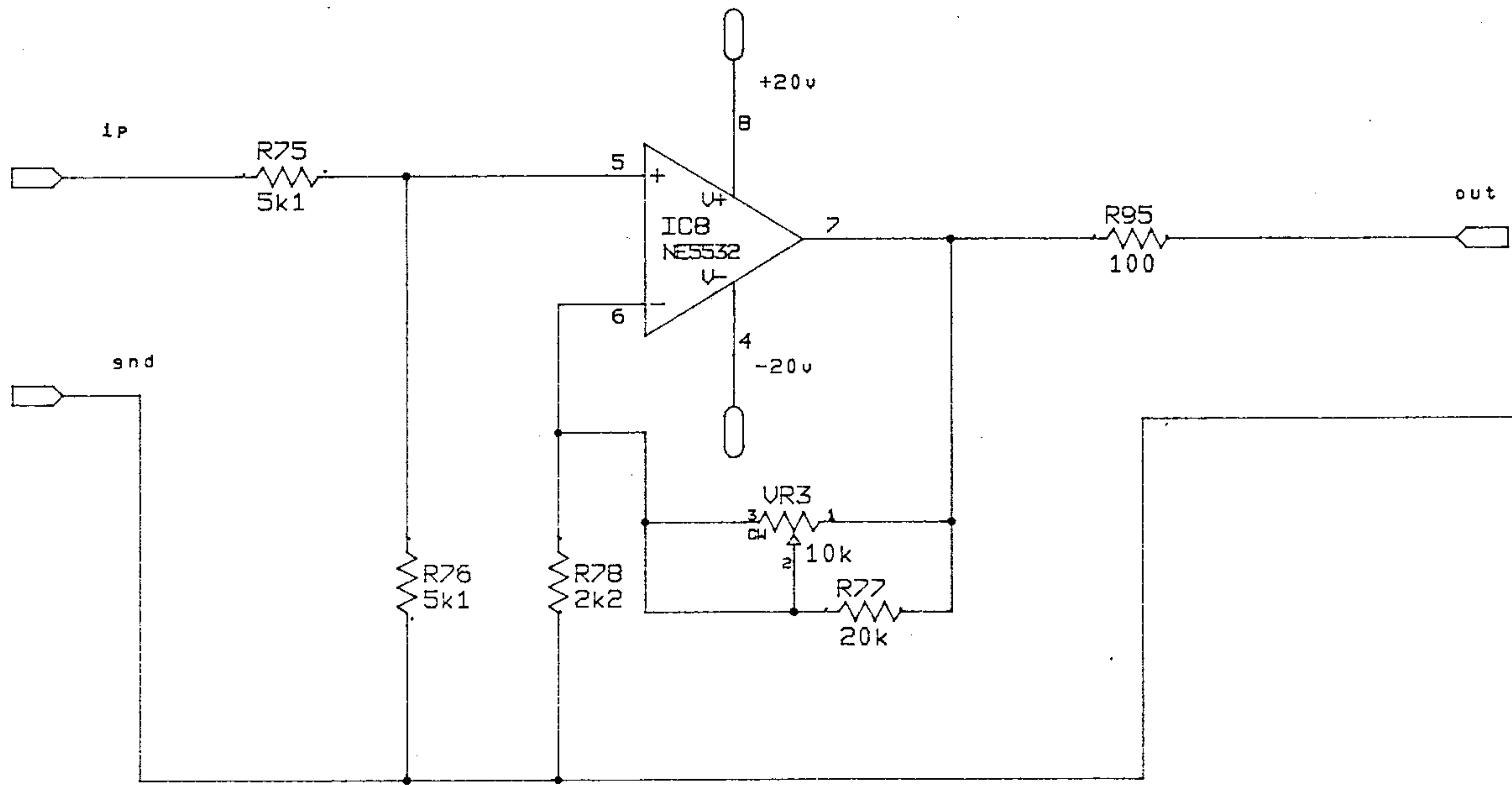
INPUT STAGE
 5-2-90
 EC



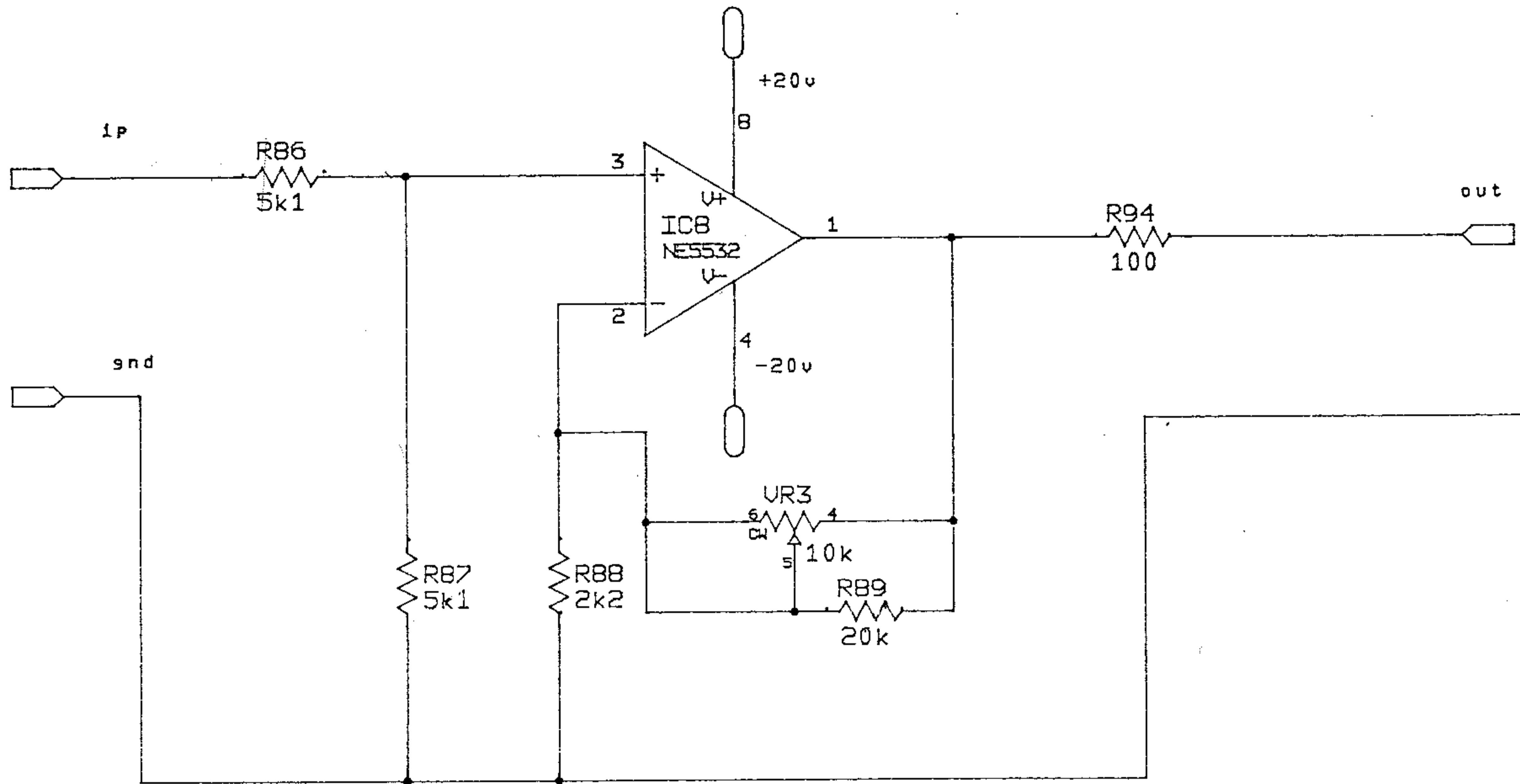
BEC



BEC

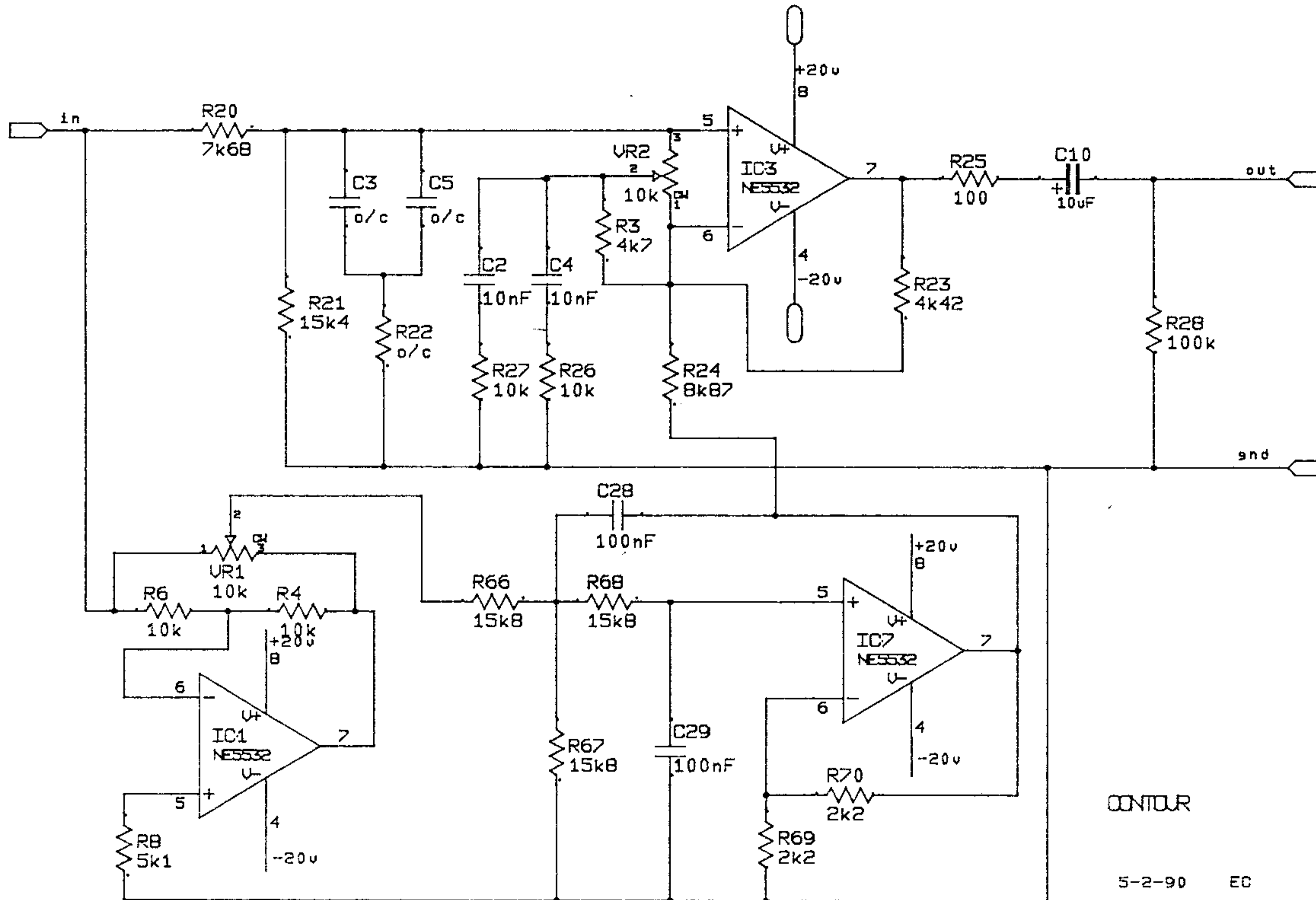


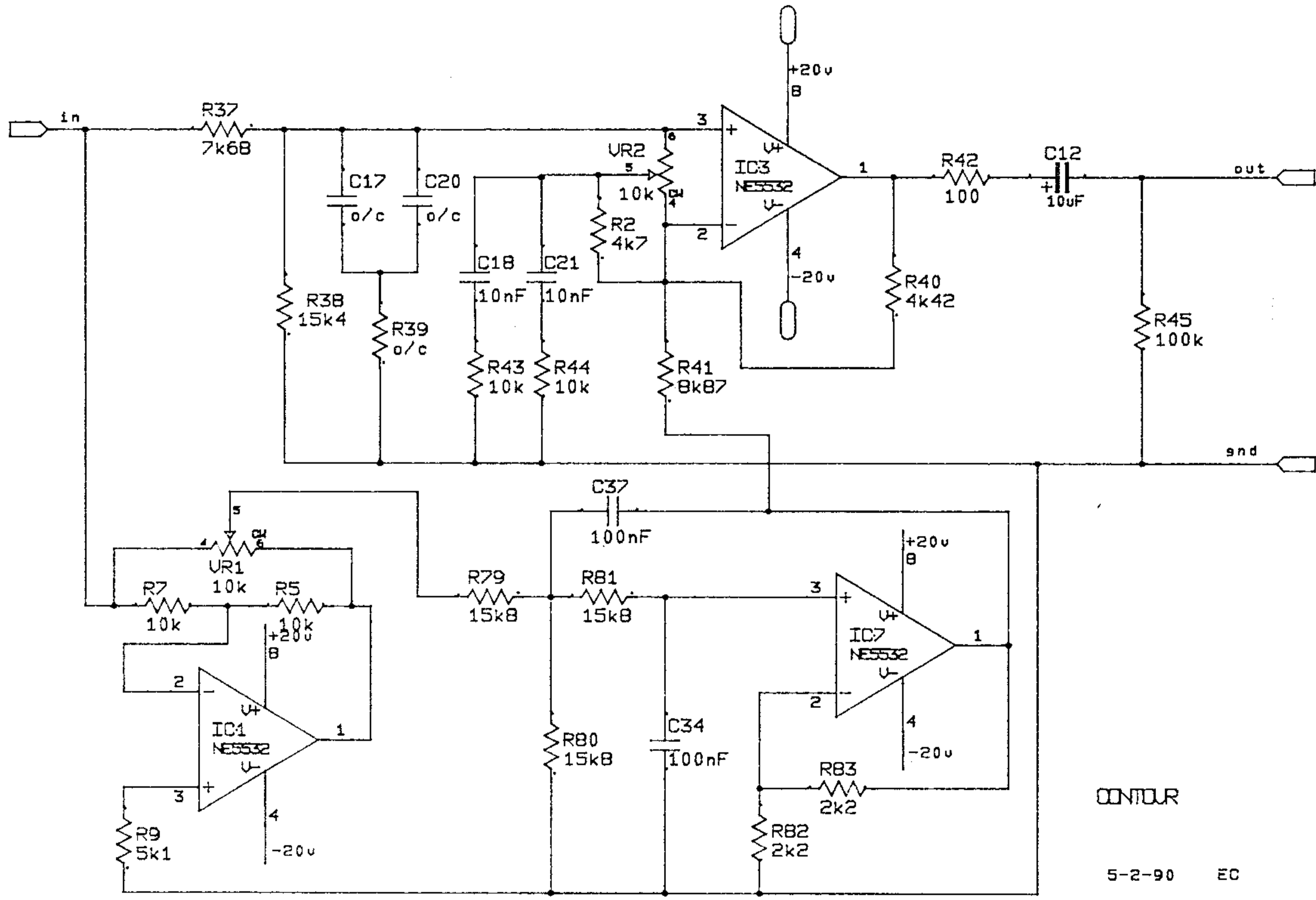
VARIABLE GAIN
 3-1-90
 EC



VARIABLE GAIN

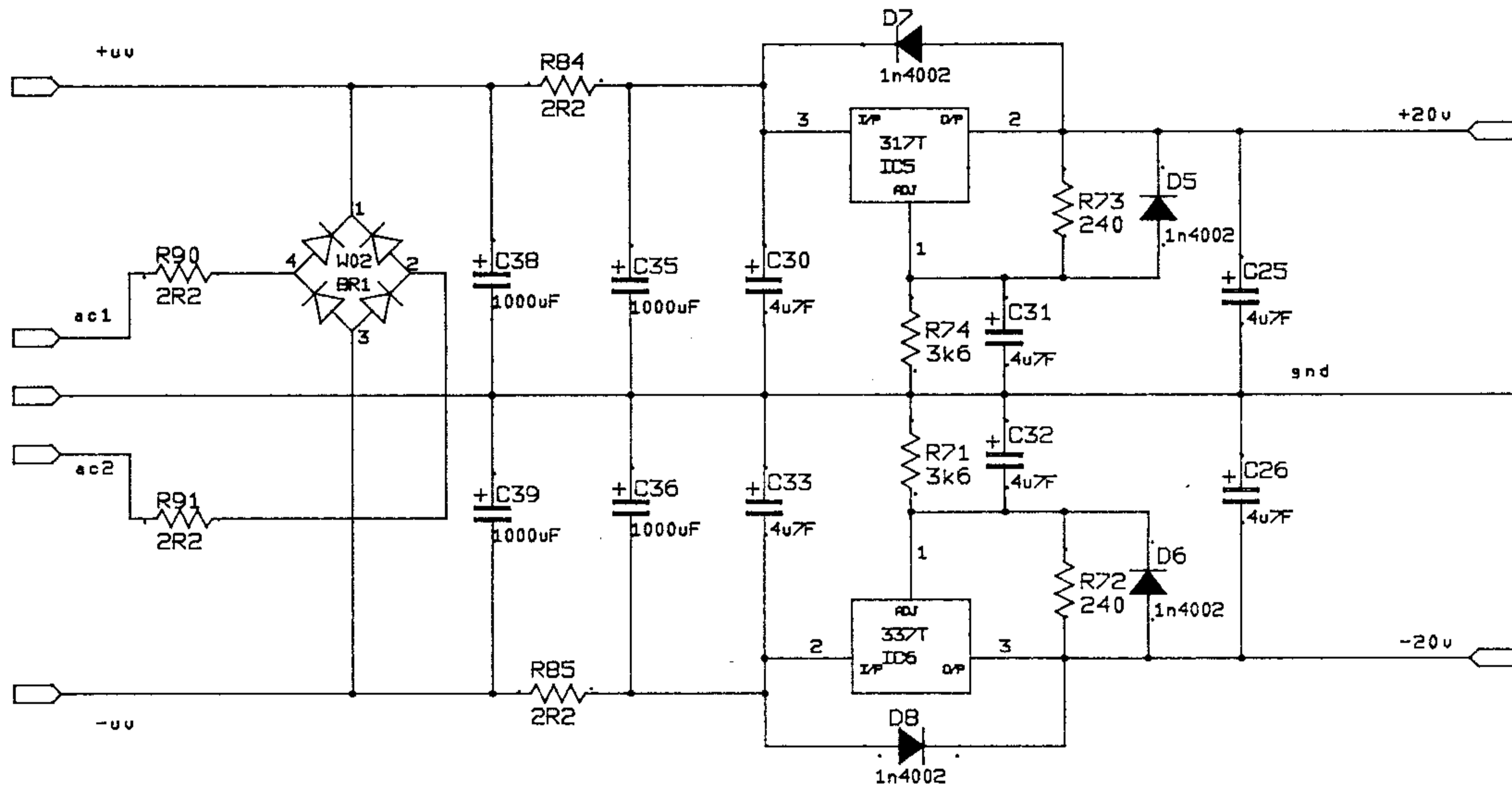
3-1-90
EC





CONTOUR

5-2-90 EC



KUBE 200 SP2147
 POWER SUPPLY UNIT
 3-1-90 EC